

HD ELITE

Wheel Balancer

HUNTER
Engineering Company

SPECIFICATIONS []



HDE32 Shown

Power Requirements	196-253V, 10 amp, 50/60 Hz, 1 ph NEMA L6-20 plug included
Air Supply Requirements	100-175 psi (7 - 12 bar)
Internet Recommendations	Hardwire or Wireless add on, 10+ mbps up and down
Approximate Air Consumption	4 CFM (110 Liters/Minute)
Rim Width Range	1.5 in to 19.5 in (38 mm to 495 mm)
Rim Diameter Range	10 in to 30 in (254 mm to 762 mm) *
ALU	7.5 in to 38 in (191 mm to 965 mm) *
Max. Tire Diameter	52 in (1321 mm)
Max. Tire Width	19.5 in (495 mm)
Max. Tire Weight	500 lbs (227 kg)
Min. Tire Diameter for roller application	26 in (660 mm)
Imbalance Resolution	± 0.05 oz (1.0 g)
Placement Accuracy	512 positions, ± 0.35°
Balancing Speed	100 rpm
Motor	Programmable drive system and DC motor

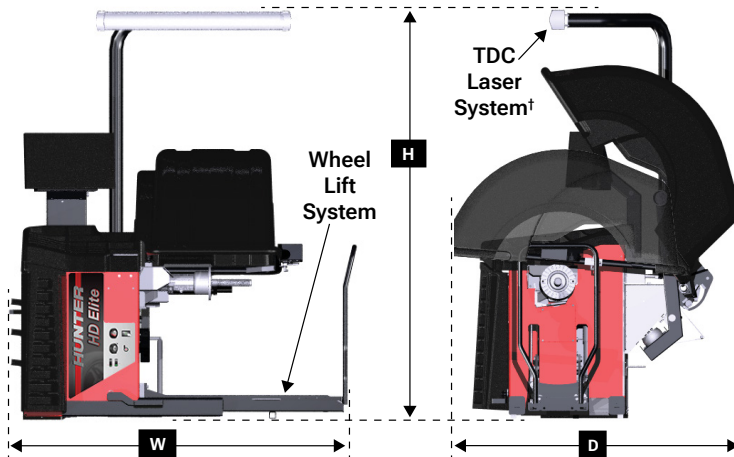
* Extreme wheel sizes may require manual data entry.

HDE-	32	30	12	10
Diagnostic Load Roller	✓	✓		
TDC Laser System†	✓		✓	✓
Width (W)	71 in 1803 mm	71 in 1803 mm	71 in 1803 mm	71 in 1803 mm
Height (H)	88 in 2223 mm	80.5 in 2046 mm	88 in 2223 mm	80.5 in 2046 mm
Depth (D)	73.5 in 1867 mm	73.5 in 1867 mm	73.5 in 1867 mm	73.5 in 1867 mm
Weight	804 lb 365 kg	781 lb 354 kg	765 lb 347 kg	742 lb 337 kg

Optional Equipment

✓ Printer Shelf (Kit 20-2714-1)

Width (W) with printer shelf 1924 mm (75.75 in)



The HD Elite Wheel Balancer is a Class 1 laser product.

†When equipped with the TDC system, the balancer is a Class 2 laser product.



LASER RADIATION
DO NOT STARE INTO THE BEAM OR VIEW DIRECTLY WITH OPTICAL INSTRUMENTS.

Viewing the laser output with magnifiers or related optical instruments within a distance of 100 mm from the laser aperture may pose an eye hazard.

For balancer information visit:
hunter.com/wheel-balancers

For local contact visit:
hunter.com/contact

For general inquiries visit:
www.hunter.com or call 800-448-6848

Because of continuing technological advancements, specifications, models and options are subject to change without notice.

Form BS07767-05, 05-24
Supersedes Form BS07767-05, 11-20
Copyright ©2024, Hunter Engineering Company