


USING THE ADASLink with Das 3000 CTA 120

QUICK START GUIDE

Form AM08424-00
Publication Date: 06-25
Supersedes 04-25

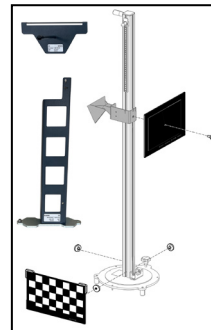
 Installation, inspection, & service of equipment should be completed only by an authorized Hunter service representative.

Requirements

- ✓ Das 3000
- ✓ CTA 120 Accessory
- ✓ ADASLink

ADASLink Setup

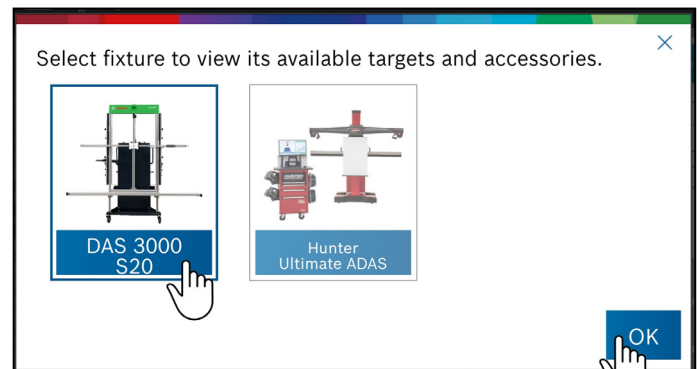
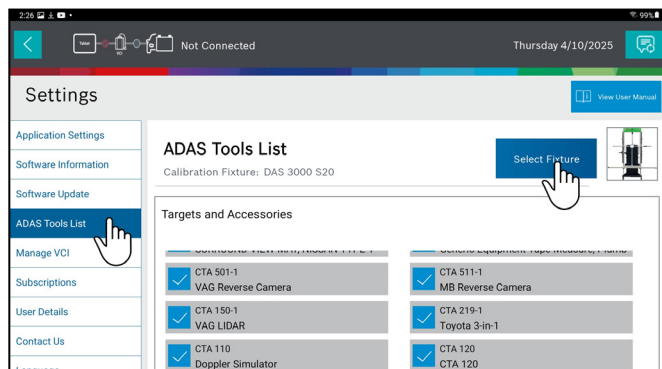
From the Main Menu press:




[VIDEO - CTA 120 Operations](#)

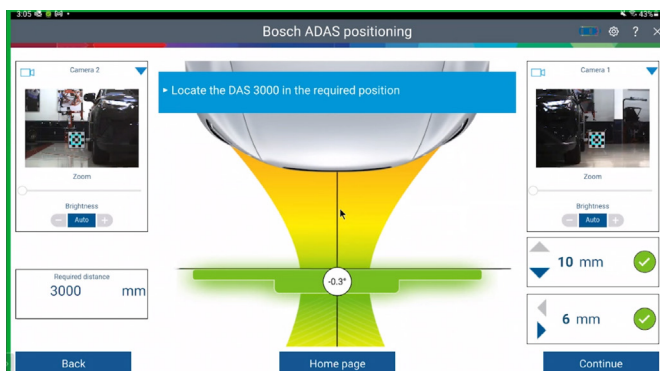


ADAS Tools List > Select Fixture > **DAS 3000** (shown below). Under Targets and Accessories Select > **CTA 120**



Front Facing Radar *(example)*

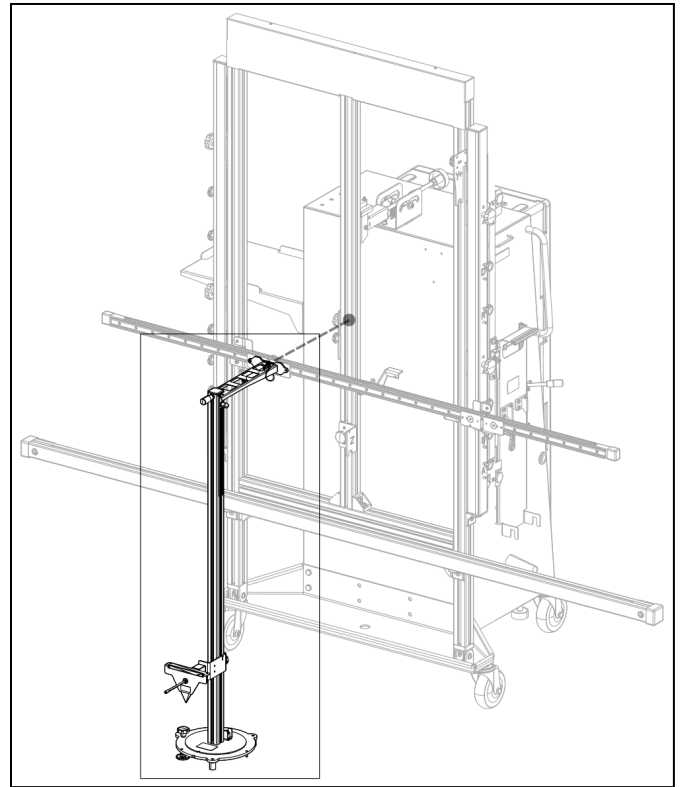
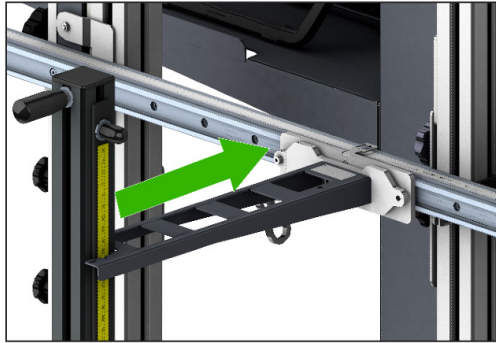
1. From the Home Screen Select Go to ADAS Calibration > Front Facing Radar > Millimeter Wave Radar Sensor Adjustment - CTA 120
2. Follow On-Screen instructions and car setup before selecting "Continue", Ensure space & position requirements are met.
3. Connect the camera to the ADASLink tablet.
4. Prepare & position corner reflector when instructed. 
5. Continue to follow on-screen instructions of Bosch ADAS positioning. When Ready, select "Continue"



6. Attach measuring bar (See images 1-5 on the ADASlink for examples)
 - a. Set target height to 1000 mm (100 cm)
 - b. Adjust pitch angle
 - c. Attach bracket to slider and set to center position
 - d. Align CTA 120 base plates and Level the fixture



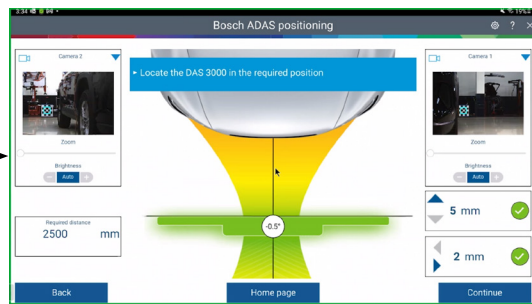
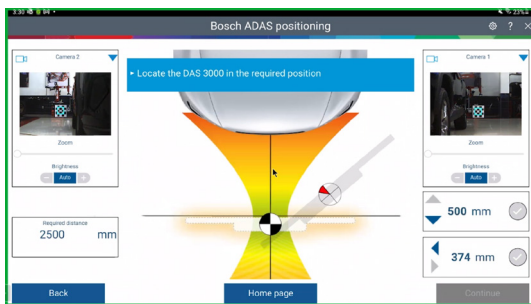
- e. Position the CTA 120 into the corner of the bracket.




7. <Continue> to perform Calibration

Blind Spot Monitor

1. From the Home Screen Select Go to ADAS Calibration > Blind Spot Monitoring > BSM Master Radar Sensor Adjustment - CTA 120
2. Follow On-Screen instructions and car setup before selecting "Continue", Ensure space & position requirements are met.
3. Connect the camera to the ADASLink tablet.
4. Prepare & position corner reflector when instructed. Set reflector height according to instructions.
5. Follow on-screen instructions for device preparation and ADAS positioning. Move DAS 3000 to required position.



6. Prepare Calibration Accessories, position and align target stand by following on-screen measurements. (Angle, Distance, and Displacement). When ready,  Select "Continue" to complete.

