

PRONTO-III®

PA200 Series Console

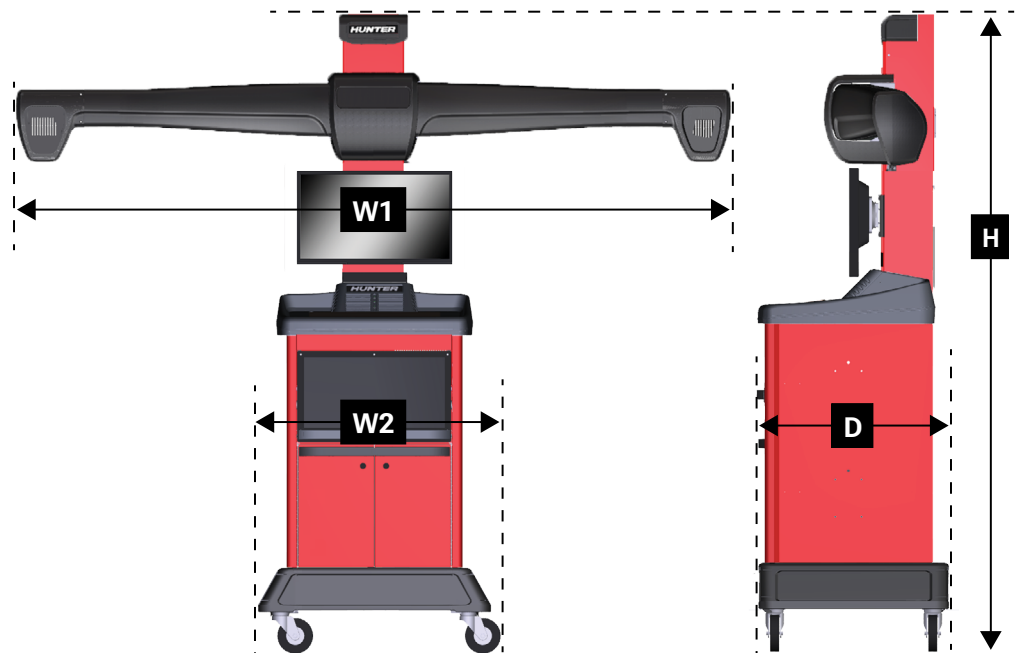
HUNTER
Engineering Company

SPECIFICATIONS []

SPECIFICATIONS	
Weight of Target	11 lbs. (5 kg)
Profile of Target	18 in. (457 mm)
Installation Time	10 - 15 seconds
Rolling Compensation Style	Back / Forward
Camera Resolution	2,608 x 1,952 / 10 million px
Track Width	80 in. (2032 mm)
Wheel Base	210 in. (5334 mm)
Distant to Wall	65 - 97 in. (1651 - 2464 mm)
Suggested Distance	97 in. (2464 mm)
Short Bay Distance (see site info)	65 in. (1651 mm)

MEASUREMENTS	
S.A.I. & Included Angle	☒
Set Back	☒
Max Steering Angle	To Lock
Wheelbase Difference	☒
Track Width Difference	☒
Lateral Offset	☒
Rear Set Back	☒
Axle Offset	☒

DIMENSIONS	
Width (W1)	105 in. (2667 mm)
Width (W2)	32 in. (813 mm)
Height (H1)	118 in. (2997 mm)
Depth (D)	21 in. (534 mm)
Optional rear storage	Additional 16 in. (406 mm) behind console minimum



For alignment information visit:
hunter.com/alignment-machines

For local contact visit:
hunter.com/contact

For general inquiries visit:
www.hunter.com or call 800-448-6848

Because of continuing technological advancements, specifications, models and options are subject to change without notice.

Form 7056-T, 07-24
Supersedes Form 7056-T, 04-24
Copyright ©2024, Hunter Engineering Company